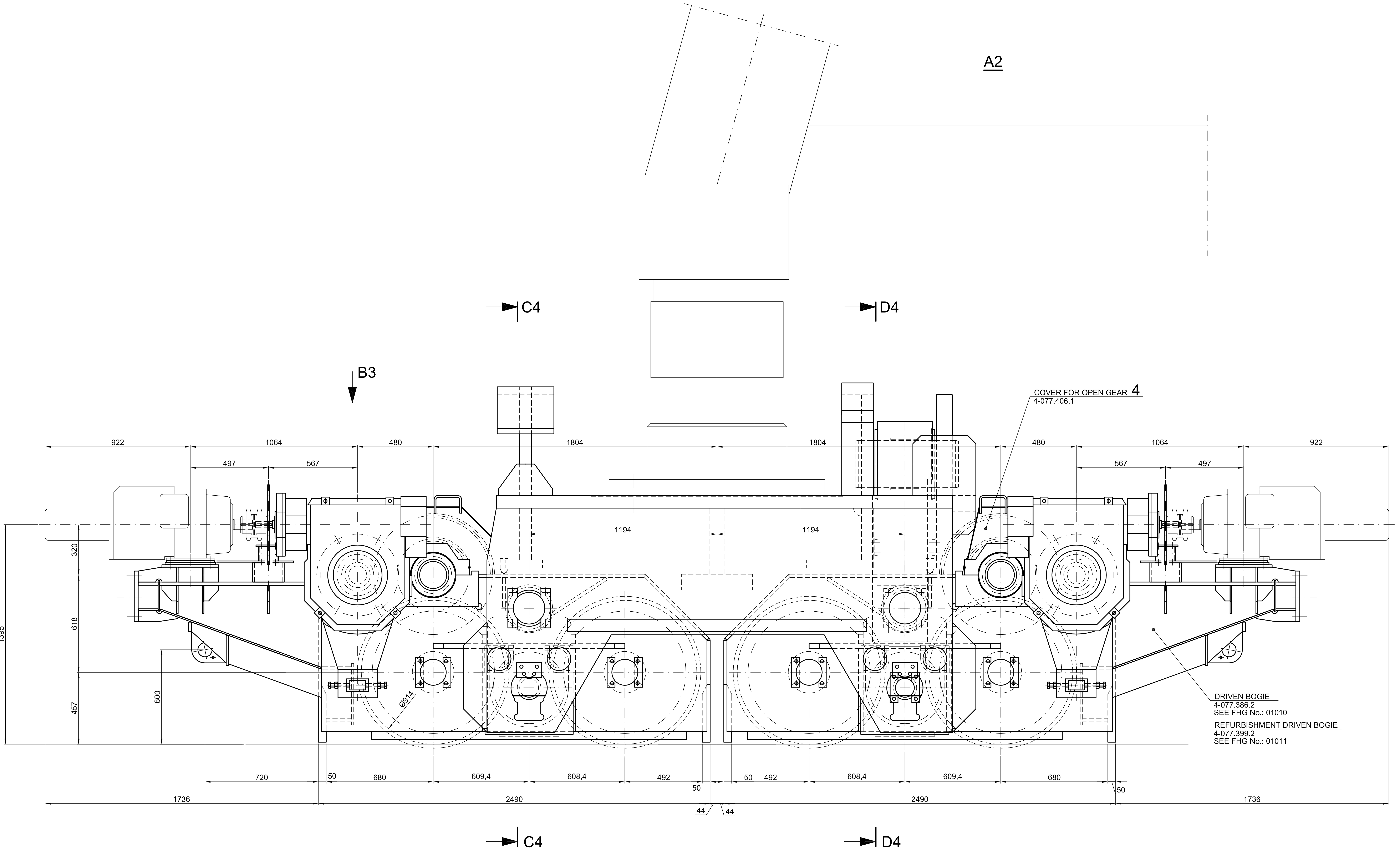


NOTICE - WHEN GOVERNMENT DRAWINGS, SPECIFICATIONS, OR OTHER DATA ARE USED FOR ANY PURPOSE OTHER THAN IN CONNECTION WITH A GOVERNMENT-RELATED GOVERNMENT PROCUREMENT OPERATION, THE UNITED STATES GOVERNMENT THEREBY DISCLAIMS ANY RESPONSIBILITY FOR ANY CONSEQUENCES ARISING FROM SUCH USE. THE GOVERNMENT MAY HAVE FORWARDED, FORWARDED, OR IN ANY WAY SUPPLIED THE SAID DRAWINGS, SPECIFICATIONS, OR OTHER DATA AS PART OF A CONTRACT, AGREEMENT, OR OTHER INSTRUMENT IN CONNECTION WITH THE PROVISION OF GOODS OR SERVICES TO THE GOVERNMENT. THE USER OF SUCH DATA SHALL BE RESPONSIBLE FOR OBTAINING ALL NECESSARY RIGHTS, PERMISSIONS, OR CONSENTS FROM ANY PATENTED INVENTOR THAT MAY BE RELATED THEREIN.

PART NO.	MF	REVISIONS				
		ZONE	SYM	DESCRIPTION	DATE	APPROVAL



KOCKS CRANE INC.		UNLESS OTHERWISE SPECIFIED		ORIGINAL DATE OF DRAWING: 06/09/2002		Space Shuttle Launch Complex 39		JOHN F. KENNEDY SPACE CENTER, NASA			
SEE ENGINEERING RECORDS		DIMENSIONS ARE IN MM		DRAFTER: Techmann		Rotating Service Structure		KENNEDY SPACE CENTER FLORIDA			
Comp. No.: 18477	Mark: KSC	Origin:	FRACTIONS ON	DECIMALS	ANGLES	Truck Bogie Exchange System Design		DWG SIZE: F			
Drawing No.: 4-077.407	B A F: 2 F	Sheet - Number: 2 / 4					Truck Drive Arrangement		4-077.407.2		
Parts List No.: 4-077.407	A F: 0 4	FHG-No.: 01300	MATERIAL		SUBMITTED		WEIGHT CHECKER		SCALE: 1 : 10		
		HEAT TREATMENT		APPROVED		DATE		CODE: VEN-3647		SHEET 2 OF 4	
		FINAL PROTECTIVE FINISH		APPLICATION		UNIT WEIGHT					